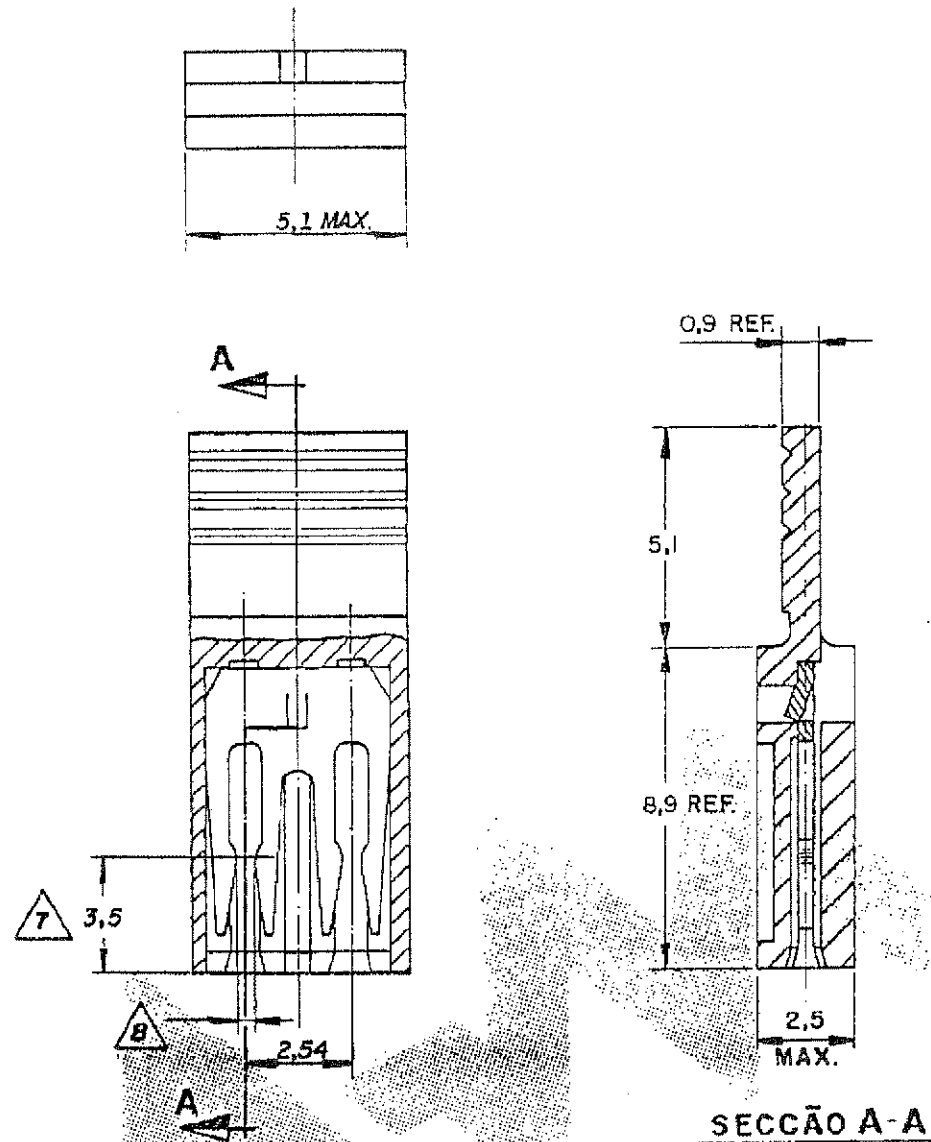


DO NOT SCALE
DIMENSIONS IN

METRIC



C 880584



NOTAS
NOTES

- 1 MATERIAL: HOUSING: TERMOPLASTICO S/ FIBRA DE VIDRO V-0 COR: PRETO
CONTACTO: BRONZE FOSFOROSO
MATERIAL: HOUSING: THERMOPLASTIC WITHOUT GLASS FIBER V-0 COLOR: BLACK
CONTACT: PHOSPHOROUS BRONZE
- 2 MATERIAL: HOUSING: TERMOPLASTICO C/ FIBRA DE VIDRO NR. COR: NATURAL
CONTACTO: BRONZE FOSFOROSO
MATERIAL: HOUSING: THERMOPLASTIC WITH GLASS FIBER NR. COLOR: NATURAL
CONTACT: PHOSPHOROUS BRONZE
- 3 0,38 µm. MIN. OURO NA AREA DE CONTATO, SOBRE BANHO 0,76 µm NIQUEL
0,38 µm. MIN. GOLD ON CONTACT AREA, 0,76 µm NIQUEL UNDERPLATING
- 4 0,76 µm. MIN. OURO NA AREA DE CONTATO, SOBRE BANHO 0,76 µm NIQUEL
0,76 µm. MIN. GOLD ON CONTACT AREA, 0,76 µm NIQUEL UNDERPLATING
- 5 1,27 µm. MIN. OURO NA AREA DE CONTATO, SOBRE BANHO 0,76 µm NIQUEL
1,27 µm. MIN. GOLD ON CONTACT AREA, 0,76 µm NIQUEL UNDERPLATING
- 6 ESTANHO SOBRE NIQUEL
TIN UNDER NICKEL
- 7 PONTO DE CONTATO E/ MEDIÇÃO DA CAMADA DE OURO
CONTACT POINT FOR GOLD PLATING MEASUREMENT
- 8 ACEITA PINO QUADRADO 0,64 x 0,64 OU REDONDO Ø 0,64
ALLOW SQUARE PIN 0,64 x 0,64 OR ROUND Ø 0,64
- 9 MATERIAL: HOUSING: TERMOPLASTICO C/ FIBRA DE VIDRO COR VERMELHO, V-2
CONTACTO: BRONZE FOSFOROSO
MATERIAL: HOUSING: THERMOPLASTIC WITH GLASS FIBER COLOR RED; V-2
CONTACT: PHOSPHOROUS BRONZE

		3		10	L	2 - 880584	- 1
11	OBSOLETE	6		9			9
11	OBSOLETE	6					8
		5					- 7
11	OBSOLETE	4					6
		3		2			- 5
		6					- 4
11	OBSOLETE	5					3
		4					- 2
		3		1	K7	880584	- 1

OTHER TREATMENT		FINISH		MATERIAL		PART REV.		PART NUMBER	
CUSTOMER DWG for REFERENCE ONLY				TOLERANCES UNLESS OTHERWISE STATED DEC. ± 0,3 ANGLES ± 1°		INS. DIA. RANGE //		WIRE RANGE //	
				DR. <i>Paulo 01/01/04</i>		STE TE Connectivity			
				CHK. <i>H. JUNHO 18/04</i>		DESCRIPTION ..			
L4 REV. ECO 11-023509 HC WLS 02DEC11 DE.						AMP SHUNT CONNECTOR ASS'Y			
L3 REVISED PER ECO-11-005139 RK HMR 28MAR11 DE.						A3 DWG NO		880584	
153 REVISION RECORD DR CHK DATE APP						C		SHEET 1072	

C 880584

8 7 6 5 4 3 2 1

DO NOT SCALE

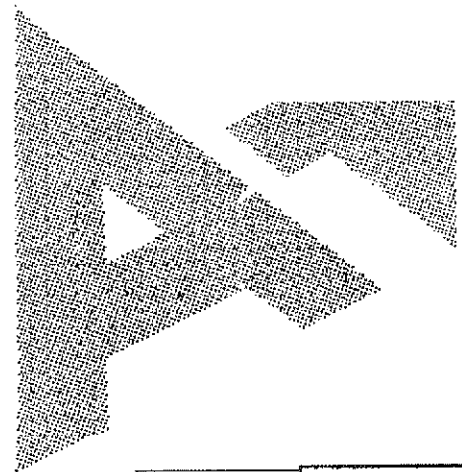
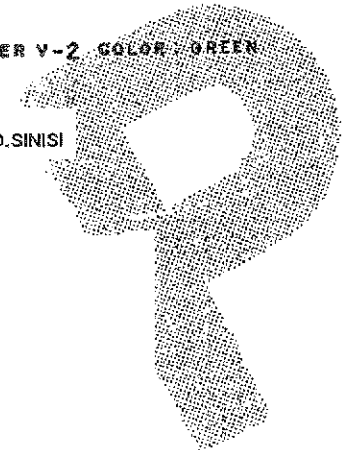
DIMENSIONS IN mm

METRIC



3rd ANGLE PROJECTION

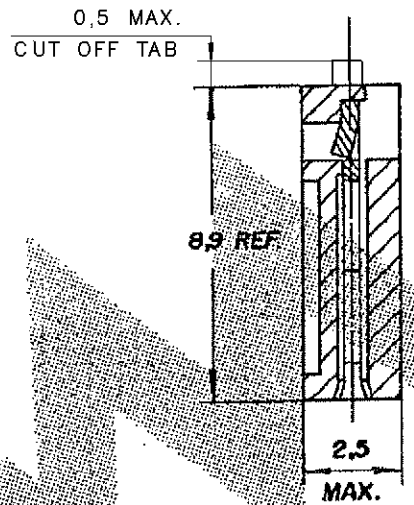
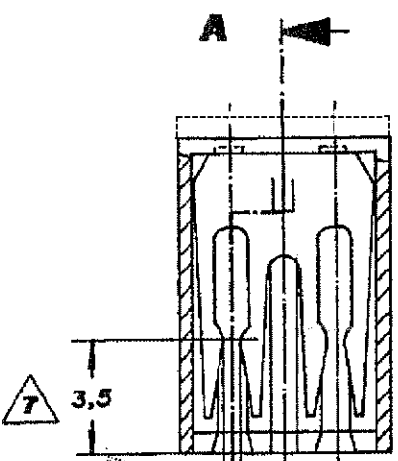
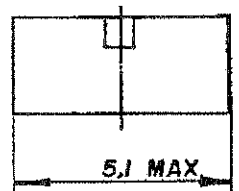
- 10 MATERIAL: HOUSING: TERMOPLASTICO C/ FIBRA DE VIDRO V-2 COR: VERDE
CONTATO: BROZE FOSFOROSO
- MATERIAL: HOUSING: THERMOPLASTIC WITH GLASS FIBER V-2 COLOR: GREEN
CONTACT: PHOSPHOROUS BRONZE
- 11 OBSOLETE PARTS: OBSOLETE CIS STREAMLINING PER D.RENAUD/D.SINISI



C

B

A



SECCÃO A-A

11 OBSOLETE	6			1	8
	5			1	7
11 OBSOLETE	4			1	6
	3		2	1	5
	6			1	4
	5			1	3
	4			1	2
	3		1	K1	1- 880584 - 1

OTHER TREATMENT	FINISH	MATERIAL	PART REV.	PART NUMBER		
CUSTOMER DWG for REFERENCE ONLY						
TOLERANCES UNLESS OTHERWISE STATED DEC. ± 0,5 ANGLES ± 1°		INS. DIA. RANGE	WIRE RANGE	SCALE		
DR. <i>Isidor Gallo</i> 09-MAR-87						
CHK. <i>N. W. S.</i> 09-MAR-87						
DESCRIPTION		AMP SHUNT CONNECTOR ASS'Y				
DWG NO		A3 C 880584				
SHEET		2 of 2				
REV	REVISION	RECORD	DR	CHK	DATE	APP

8 7 6 5 4 3 2 1