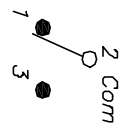
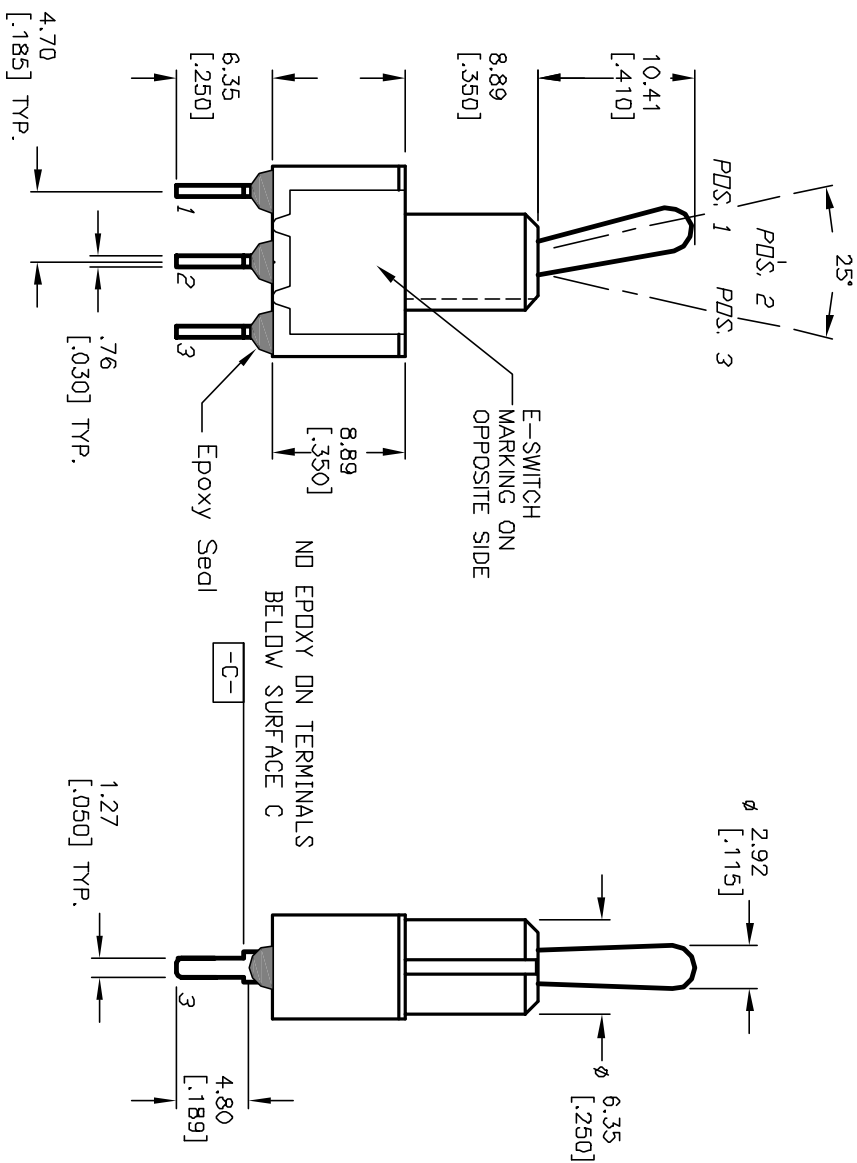


RECOMMENDED P.C.B. LAYOUT



CIRCUIT: SPDT

PDS. 1	PDS. 2	PDS. 3
DN	NDNE	DN
2-3	OPEN	2-1



- NOTES:
1. ALL DIMENSIONS IN MM [INCH]
 2. GENERAL TOLERANCE: X.X=±0.4
X.XX=±0.25
 3. TERM. NDS. FOR REF. ONLY
 4. RATING: 5A @120VAC or 28VDC;
2A @250VAC
 5. FIXED TERMINAL/MOVING CONTACT:
Copper Alloy w/Silver Plate.
 6. ELECTRICAL LIFE: 50,000 make-and-break
cycles at full load.
 7. INSULATION RESISTANCE: 1,000M ohm min.
 8. DIELECTRIC STRENGTH: 1000V RMS @sea level
 9. OPERATING TEMP.: -30°C to +85°C

REV. A	ECN No. 12598	DESCRIPTION RELEASED FOR PRODUCTION	DATE 11/27/02	CHKD CJB
THE INFORMATION CONTAINED IN THIS DOCUMENT IS PRELIMINARY. E-SWITCH AND IS NOT TO BE COPIED OR TRANSFERRED				

TITLE 100 SP-1 T1 B2 M2 Q E				
SCALE 2:1	DATE 11/27/02	DR CJB	DWG T110022	REV A

