

2

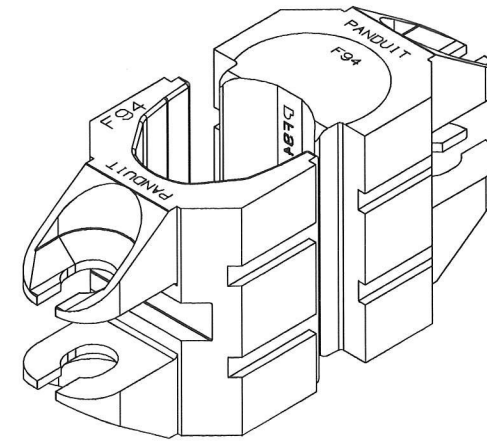
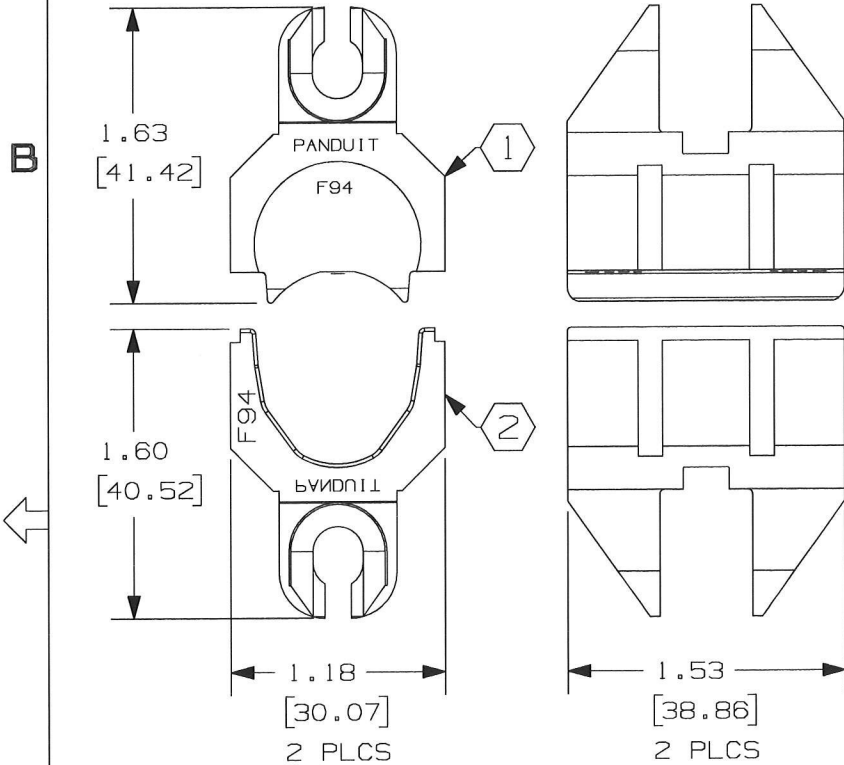
1

THIS COPY IS PROVIDED ON A RESTRICTED BASIS AND IS NOT TO BE USED IN ANY WAY DETRIMENTAL TO THE INTERESTS OF PANDUIT CORP.

ID	PART NUMBER	DESCRIPTION
1	CD-2001-F94	DIE, CRIMP - TP27020B01
2		DIE, F - TP27021B01

NOTES, UNLESS OTHERWISE SPECIFIED:

1. DIMENSIONS IN BRACKETS ARE IN METRIC.
2. RECOMMENDED TOOL: CT-3001
3. COMPATIBLE TOOL: CT-2001
4. WIRE SIZE: 400 MCM
5. CRIMPS: F94 FERRULES - ALL SIZES



REV	DATE	BY	CHK	APR	DESCRIPTION	ECN
01	04/12/13	SILD	ALP		RELEASE	4545

TITLE CD-2001-F94 CUSTOMER DRAWING			
CUTOMER DRAWING			
ITEM REVISION NAME R27011AA/01		PANDUIT	
DATASET FILE NAME R27011AA_DS_TP27011A01/01A			
UNLESS OTHERWISE SPECIFIED, DIMENSIONAL TOLERANCES ARE: IN [mm]		MATERIAL: 4140 STEEL / RC 32-35	
.x ± .1 [2.54] .xxx ± .005 [.127]		DRAWING NUMBER: TP27011A01	
.xx ± .01 [.25] ANGLES ± 5°		THIRD ANGLE PROJECTION	
DRAWN BY SILD	DATE 04/12/13	CHK ALP	SCALE 1:1
SHT 1 OF 1		SIZE A	

2

1