

# Silicon PIN Photodiode in SMR<sup>®</sup> Package

## Version 1.3

---

### SFH 2500 FA



#### Features:

- Wavelength range ( $S_{10\%}$ ) 750nm bis 1100nm
- SMR<sup>®</sup> (Surface Mount Radial) package
- Short switching time (typ. 5 ns)
- Package matched with IRED SFH 4542, SFH 4551
- Short switching time (typ. 5 ns)

#### Applications

- Industrial electronics
- For control and drive circuits
- Photointerrupters
- Data transmission

#### Ordering Information

Type:	Photocurrent $I_P$ [ $\mu A$ ] $\lambda = 870 \text{ nm}$ , $E_e = 1 \text{ mW/cm}^2$ , $V_R = 5 \text{ V}$	Ordering Code
SFH 2500 FA	70 ( $\geq 50$ )	Q65110A1202

**Maximum Ratings** ( $T_A = 25\text{ °C}$ )

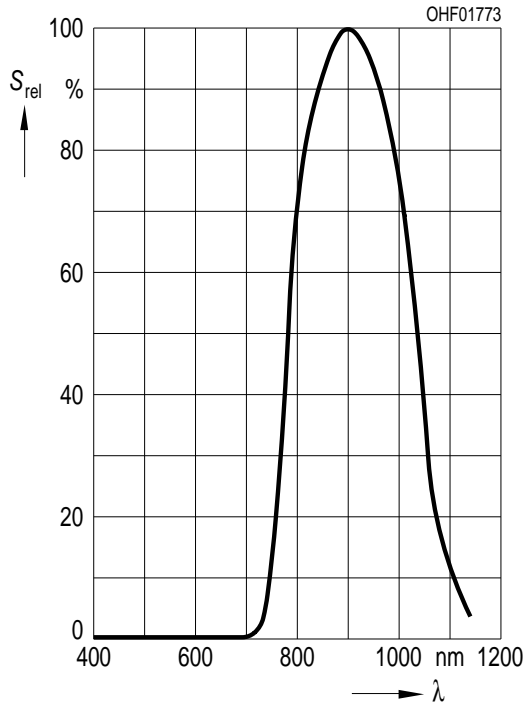
Parameter	Symbol	Values	Unit
Operating and storage temperature range	$T_{op}; T_{stg}$	-40 ... 85	°C
Reverse voltage ( $t < 2\text{ min}$ )	$V_R$	50	V
Total Power dissipation	$P_{tot}$	100	mW
Electrostatic discharge (acc. to ANSI/ ESDA/ JEDEC JS-001 - HBM)	$V_{ESD}$	2000	V

**Characteristics** ( $T_A = 25\text{ °C}$ )

Parameter	Symbol	Values	Unit
Photocurrent ( $V_R = 5\text{ V}$ , $\lambda = 870\text{ nm}$ , $E_e = 1\text{ mW/cm}^2$ ) (typ (min))	$I_P$	70 ( $\geq 50$ )	$\mu\text{A}$
Wavelength of max. sensitivity (typ)	$\lambda_{S\text{ max}}$	900	nm
Spectral range of sensitivity (typ)	$\lambda_{10\%}$	(typ) 750 ... 1100	nm
Half angle (typ)	$\varphi$	$\pm 15$	°
Open-circuit voltage ( $E_e = 0.5\text{ mW/cm}^2$ , $\lambda = 870\text{ nm}$ ) (typ (min))	$V_O$	390 ( $> 320$ )	mV
Short-circuit current ( $E_e = 1\text{ mW/cm}^2$ , $\lambda = 870\text{ nm}$ ) (typ)	$I_{SC}$	70	$\mu\text{A}$
Temperature coefficient of $I_{SC}$ ( $\lambda = 870\text{ nm}$ ) (typ)	$TC_I$	0.1	% / K

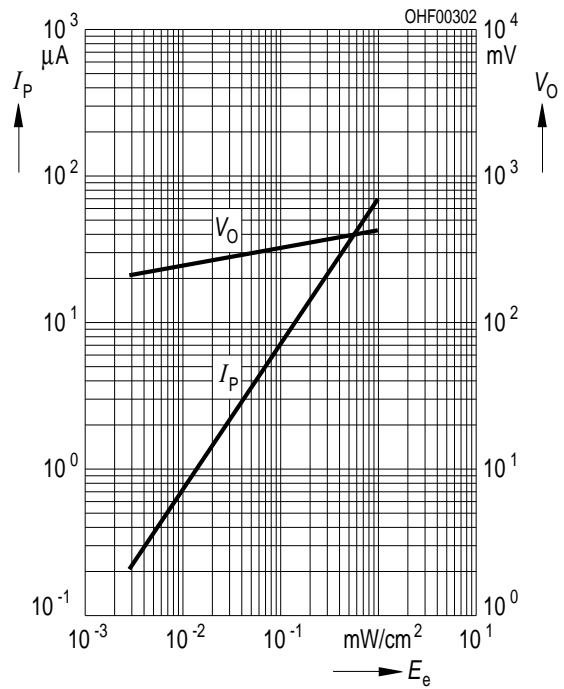
**Relative Spectral Sensitivity** <sup>1) page 11</sup>

$S_{rel} = f(\lambda)$



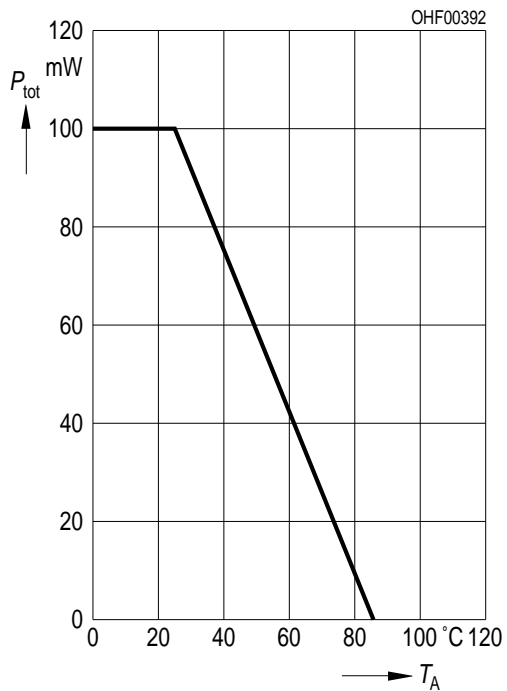
**Photocurrent / Open-Circuit Voltage** <sup>1) page 11</sup>

$I_P (V_R = 5 V) / V_O = f(E_e)$



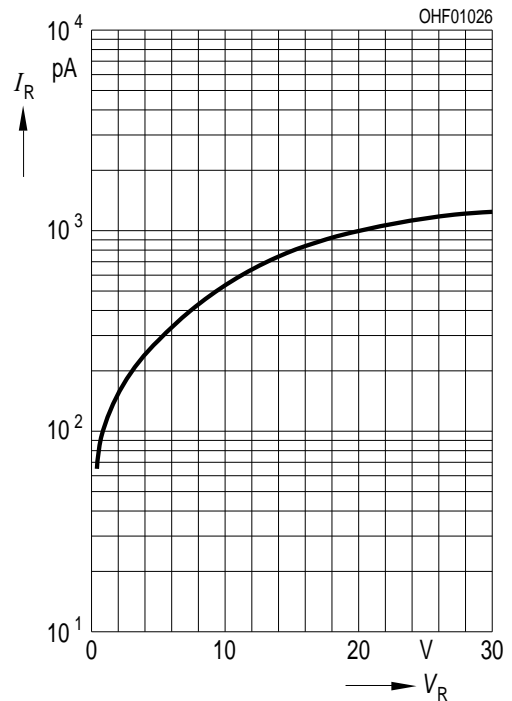
**Power Consumption**

$P_{tot} = f(T_A)$



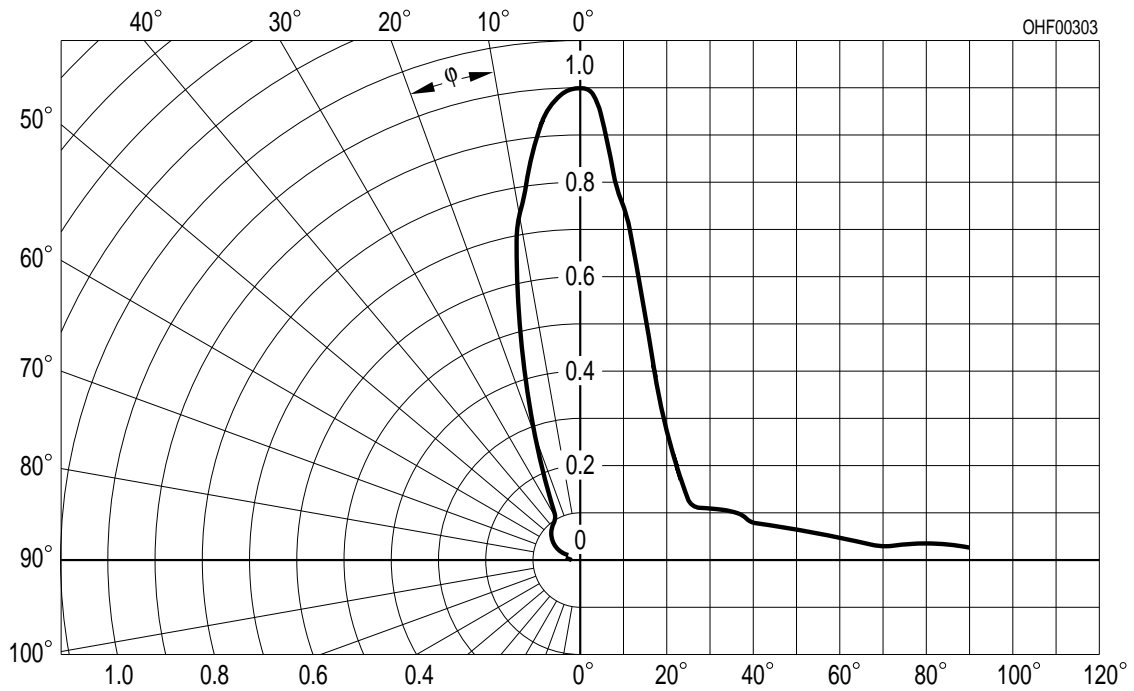
**Dark Current** <sup>1) page 11</sup>

$I_R = f(V_R), E = 0$

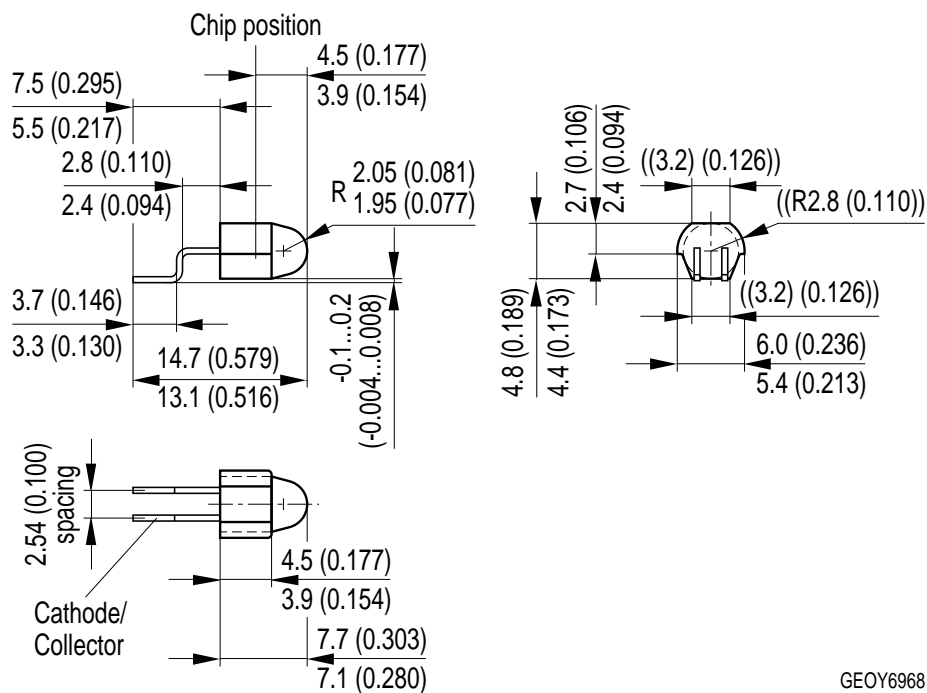


Directional Characteristics <sup>1) page 11</sup>

$S_{rel} = f(\phi)$



Package Outline



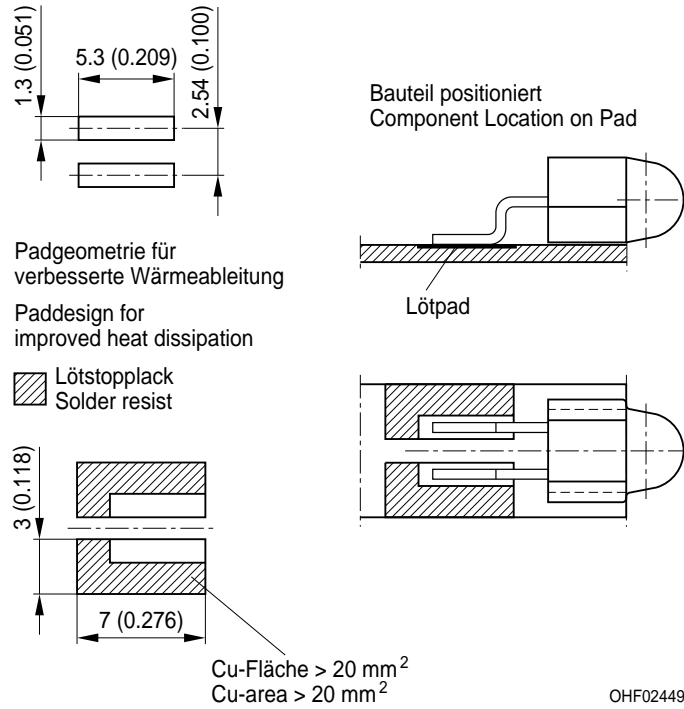
GEOY6968

Dimensions in mm (inch).

Package  
SMR

**Approximate Weight:**  
35 mg

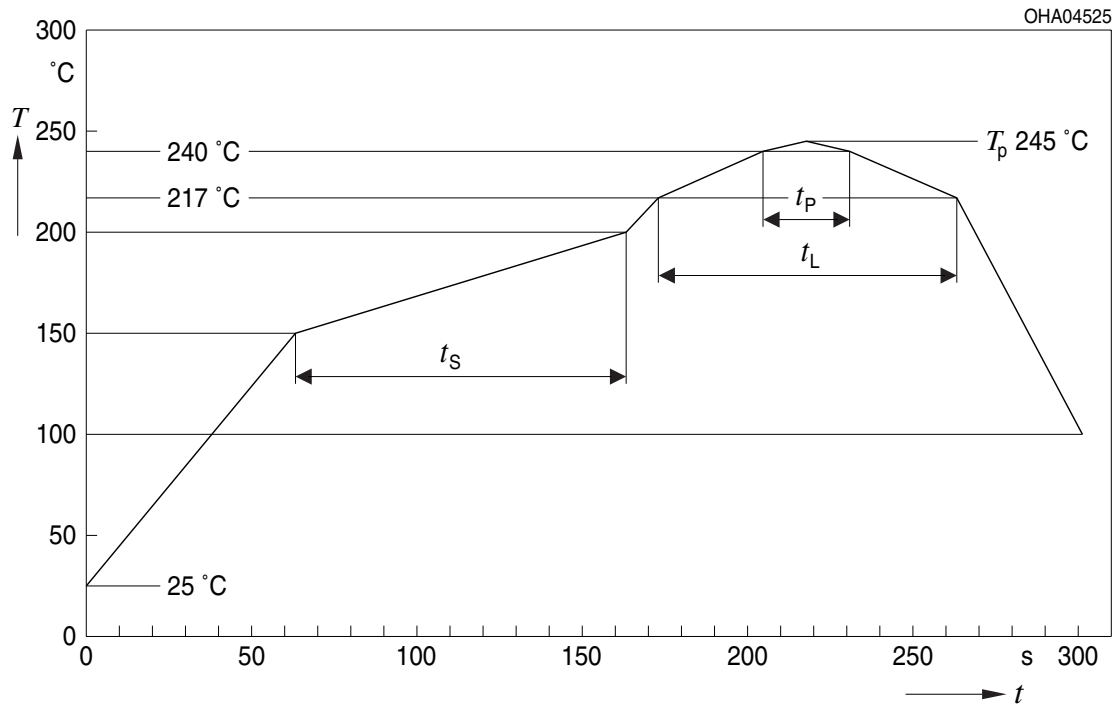
**Recommended Solder Pad**



*Dimensions in mm (inch).*

### Reflow Soldering Profile

Product complies to MSL Level 3 acc. to JEDEC J-STD-020D.01



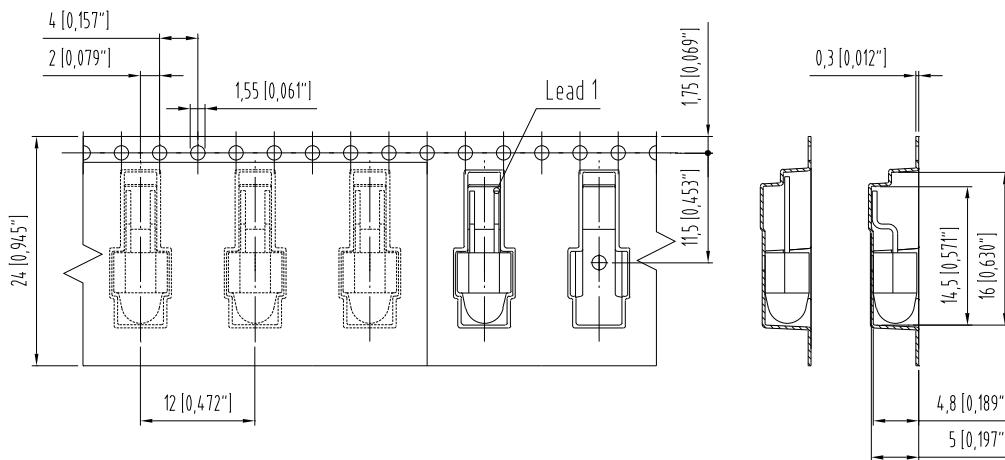
OHA04612

Profile Feature Profil-Charakteristik	Symbol Symbol	Pb-Free (SnAgCu) Assembly			Unit Einheit
		Minimum	Recommendation	Maximum	
Ramp-up rate to preheat*) 25 °C to 150 °C			2	3	K/s
Time $t_S$ $T_{Smin}$ to $T_{Smax}$	$t_S$	60	100	120	s
Ramp-up rate to peak*) $T_{Smax}$ to $T_P$			2	3	K/s
Liquidus temperature	$T_L$	217			°C
Time above liquidus temperature	$t_L$		80	100	s
Peak temperature	$T_P$		245	260	°C
Time within 5 °C of the specified peak temperature $T_P - 5$ K	$t_P$	10	20	30	s
Ramp-down rate* $T_P$ to 100 °C			3	6	K/s
Time 25 °C to $T_P$				480	s

All temperatures refer to the center of the package, measured on the top of the component

\* slope calculation  $DT/Dt$ :  $Dt$  max. 5 s; fulfillment for the whole T-range

Taping



C63062-A3252-B3-04

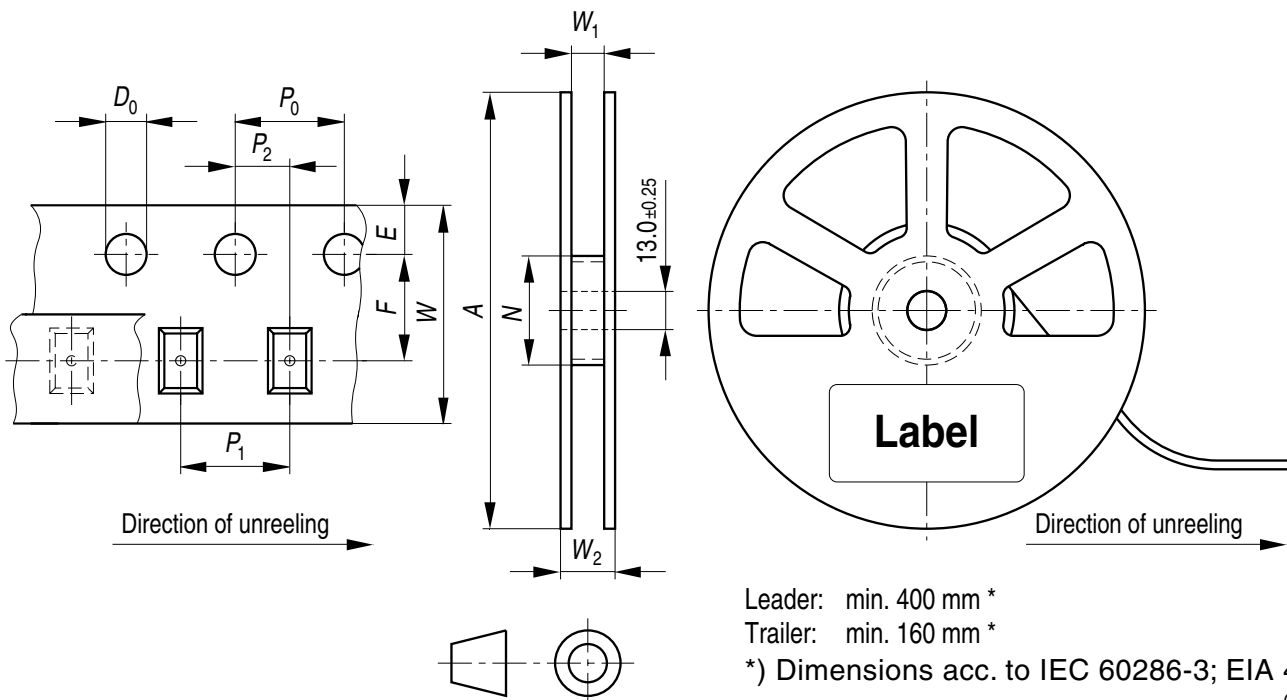
Dimensions in mm (inch).

Note:

Lead 1 = Anode

Tape and Reel

24 mm tape with 1000 pcs. on Ø 330 mm reel



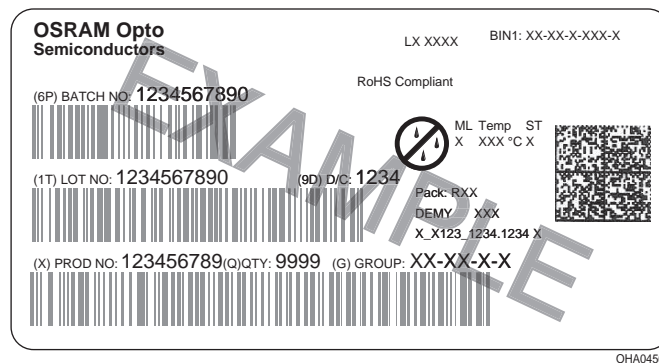
## Tape dimensions [mm]

W	P <sub>0</sub>	P <sub>1</sub>	P <sub>2</sub>	D <sub>0</sub>	E	F
24 + 0.3 / - 0.1	4 ± 0.1	8 ± 0.1 or 12 ± 0.1	2 ± 0.1	1.5 ± 0.1	1.75 ± 0.1	11.5 ± 0.05

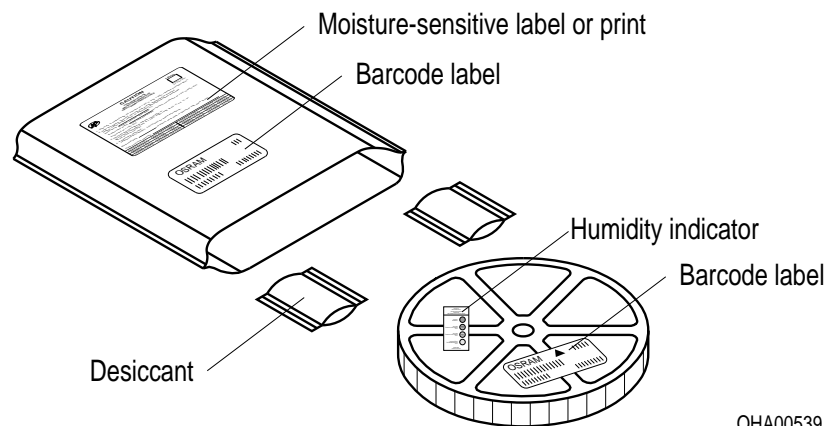
## Reel dimensions [mm]

A	W	N <sub>min</sub>	W <sub>1</sub>	W <sub>2max</sub>
330	24	60 / 100	24.4 + 2	30.4

## Barcode-Product-Label (BPL)



## Dry Packing Process and Materials

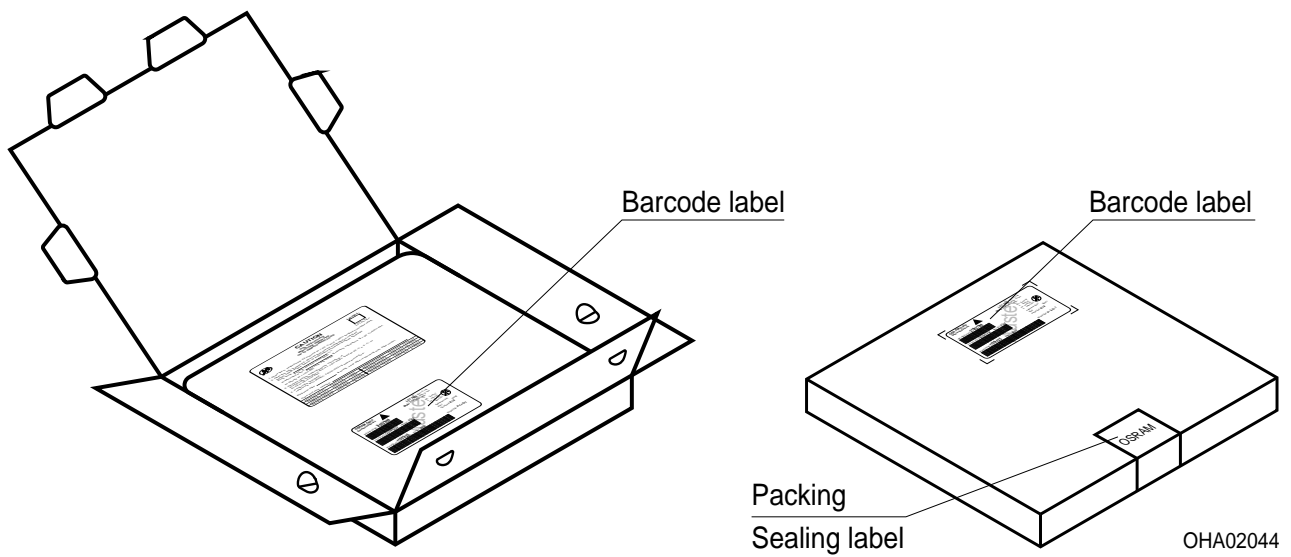


## Note:

Moisture-sensitive product is packed in a dry bag containing desiccant and a humidity card. Regarding dry pack you will find further information in the internet. Here you will also find the normative references like JEDEC.



## Transportation Packing and Materials



## Dimensions of transportation box in mm

Width	Length	Height
349 ± 5	349 ± 5	38 ± 5

**Disclaimer**

Language english will prevail in case of any discrepancies or deviations between the two language wordings.

**Attention please!**

The information describes the type of component and shall not be considered as assured characteristics.

Terms of delivery and rights to change design reserved. Due to technical requirements components may contain dangerous substances.

For information on the types in question please contact our Sales Organization.

If printed or downloaded, please find the latest version in the Internet.

**Packing**

Please use the recycling operators known to you. We can also help you – get in touch with your nearest sales office.

By agreement we will take packing material back, if it is sorted. You must bear the costs of transport. For packing material that is returned to us unsorted or which we are not obliged to accept, we shall have to invoice you for any costs incurred.

**Components used in life-support devices or systems must be expressly authorized for such purpose!**

Critical components\* may only be used in life-support devices\*\* or systems with the express written approval of OSRAM OS.

\*) A critical component is a component used in a life-support device or system whose failure can reasonably be expected to cause the failure of that life-support device or system, or to affect its safety or the effectiveness of that device or system.

\*\*) Life support devices or systems are intended (a) to be implanted in the human body, or (b) to support and/or maintain and sustain human life. If they fail, it is reasonable to assume that the health and the life of the user may be endangered.

**Glossary**

- <sup>1)</sup> **Typical Values:** Due to the special conditions of the manufacturing processes of LED, the typical data or calculated correlations of technical parameters can only reflect statistical figures. These do not necessarily correspond to the actual parameters of each single product, which could differ from the typical data and calculated correlations or the typical characteristic line. If requested, e.g. because of technical improvements, these typ. data will be changed without any further notice.

**Published by OSRAM Opto Semiconductors GmbH**  
**Leibnizstraße 4, D-93055 Regensburg**  
**www.osram-os.com © All Rights Reserved.**

EU RoHS and China RoHS compliant product



此产品符合欧盟 RoHS 指令的要求；  
按照中国的相关法规和标准，不含有毒有害物质或元素。