

4

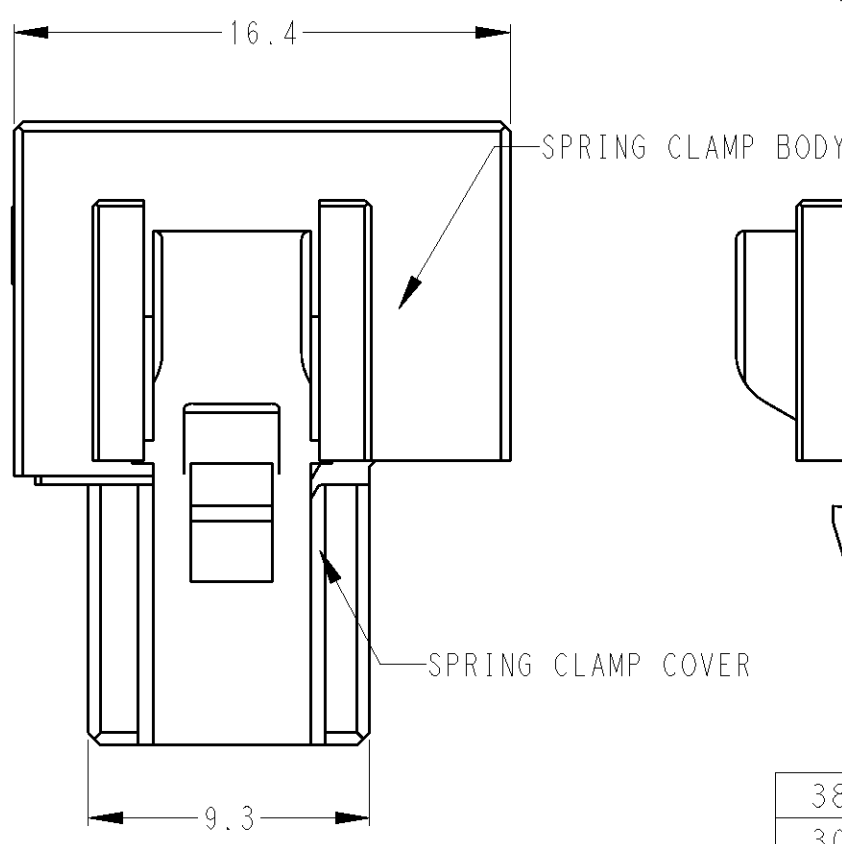
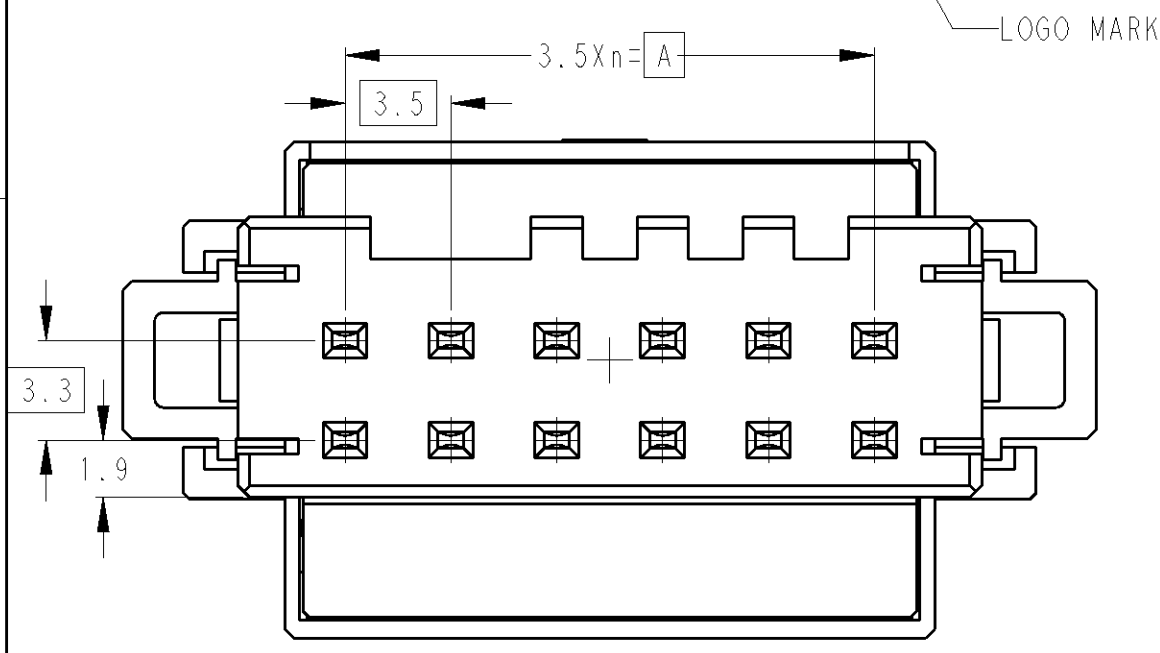
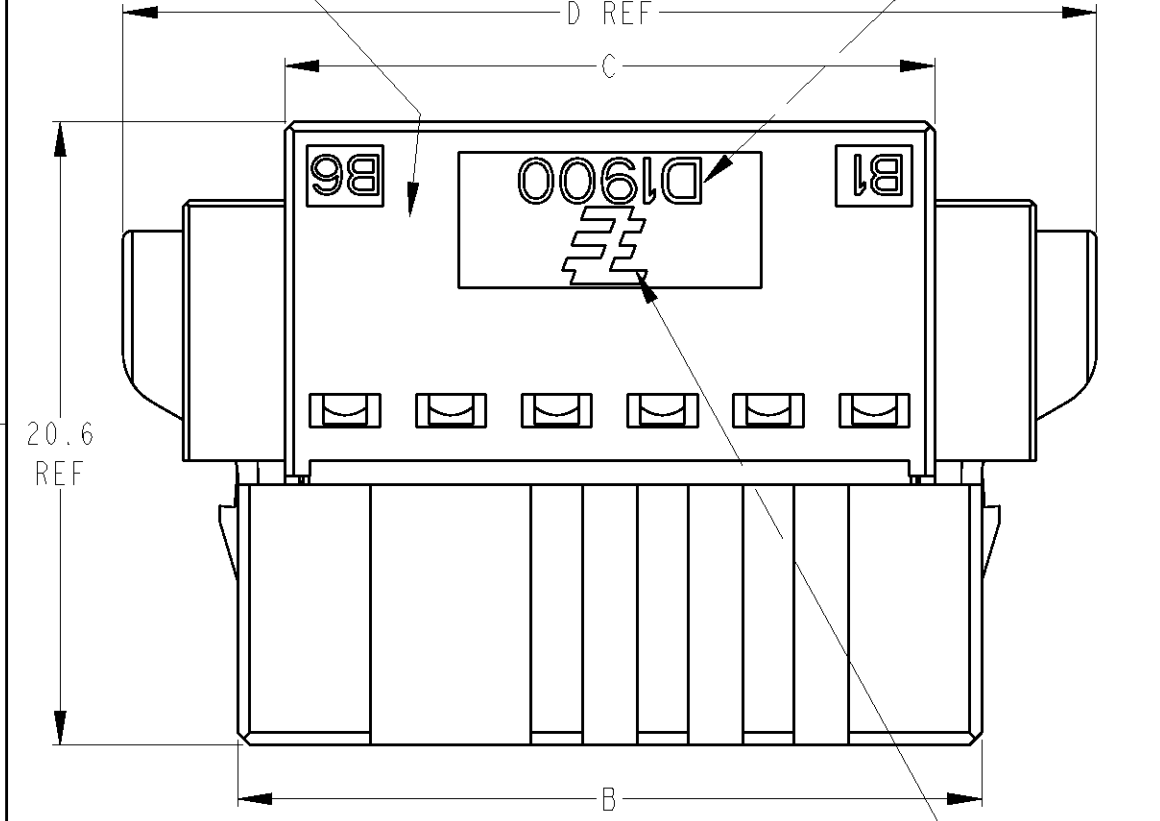
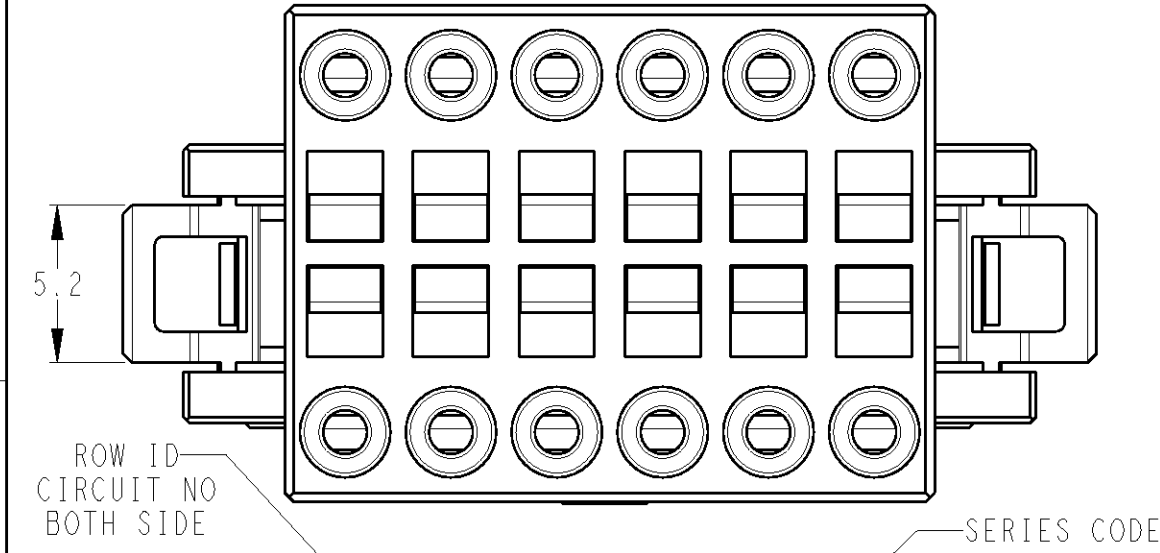
3

2

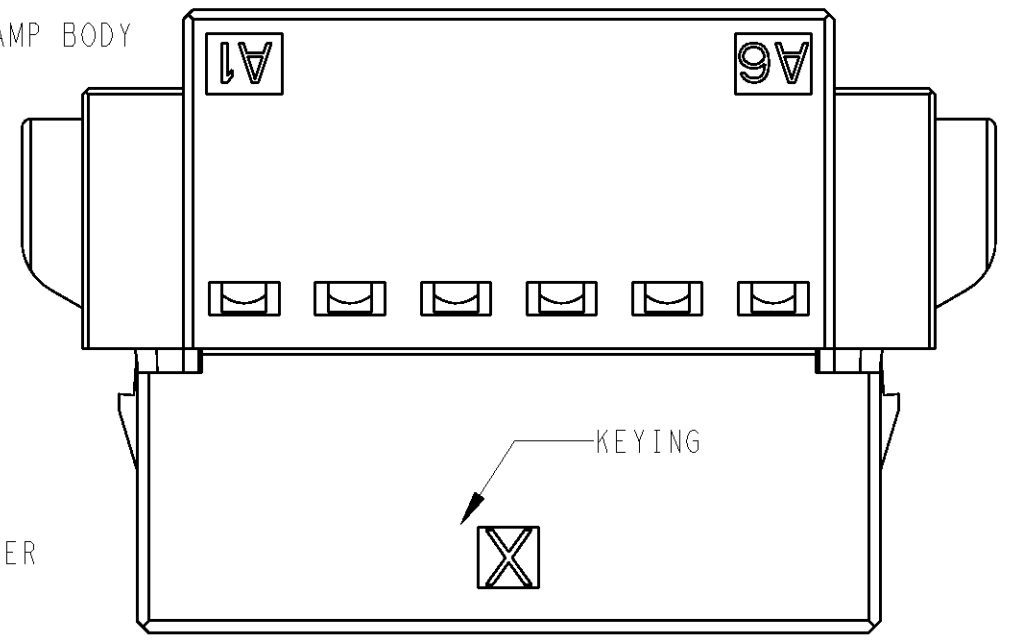
1

THIS DRAWING IS UNPUBLISHED. RELEASED FOR PUBLICATION 20
 © COPYRIGHT 20 BY Tyco Electronics Japan G.K. ALL RIGHTS RESERVED.

LOC	DIST	REVISIONS				
P	LTR	DESCRIPTION	DATE	DWN	APVD	
J	-	B	REVISED PER ECR-10-013244	10JUL2010	HMR	TM
		C	REVISED	27JUN2011	M.M	N.Y



- 1. MATERIAL: HOUSING: GLASS FILED THERMO PLASTIC POLYESTER(94V-0), COLOR: BLACK
CONTACT: COPPER ALLOY
SPRING: STAINLESS STEEL
- 2. FINISH(ALL OVER): NICKEL PL. 1.27μmMIN
- 3. FINISH(CONTACT AREA): GOLD PL. 0.3μmMIN AFTER 2.



38	18	63.0	70.1	67.0	77.7	REC ASSY:2-1871940-9
30	14	49.0	56.1	53.0	63.7	REC ASSY:2-1871940-5
22	10	35.0	42.1	39.0	49.7	REC ASSY:2-1871940-1
16	7	24.5	31.6	28.5	39.2	REC ASSY:1-1871940-8
12	5	17.5	24.6	21.5	32.2	REC ASSY:1-1871940-6
8	3	10.5	17.6	14.5	25.2	REC ASSY:1-1871940-4
POS.	n	A	B	C	D	PART No.

THIS DRAWING IS A CONTROLLED DOCUMENT.

DWN: S. TAKADA 09APR2007
 CHK: J. AKASAKA 09APR2007
 APVD: J. AKASAKA 09APR2007

STE TE Connectivity

NAME: DYNAMIC D1900D 3.5mm PITCH REC ASSY (SPRING CLAMP TYPE) 8-38POS

PRODUCT SPEC: 108-78336
 APPLICATION SPEC: -
 WEIGHT: -

SIZE: A3 CAGE CODE: 00779 DRAWING NO: C=1871940 RESTRICTED TO: -

CUSTOMER DRAWING SCALE: 4:1 SHEET: 1 OF 1 REV: C