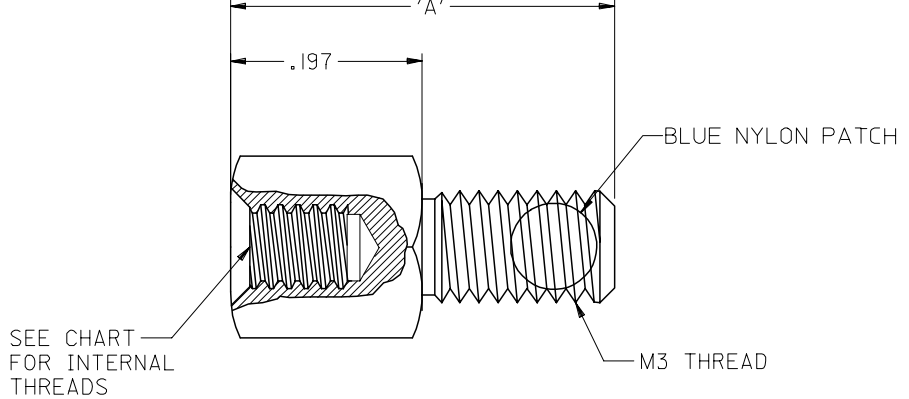
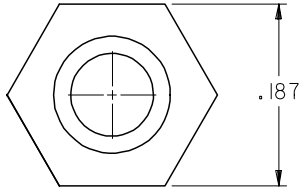
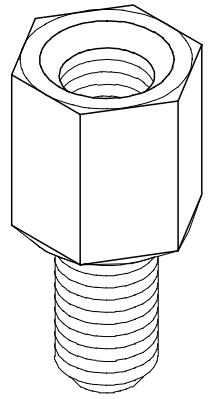


ITEM #	INTERNAL THREAD	EXTERNAL THREAD	DIMENSION 'A'	FINISH
70982-1008	4-40 UNC	M3	.433	CLEAR TRIVALENT CHROMATE



- NOTES:
 1. MATERIAL: COLD DRAWN STEEL.
 2. PARTS TO BE BULKED PACKAGED.

INITIAL RELEASE EC NO: UCP2007-2413 DRWN: MIBARRA 2007/05/15 CHKD: DMORGAN 2007/05/21 APPR: SMILLER 2007/05/21	QUALITY SYMBOLS DESCRIPTION	GENERAL TOLERANCES (UNLESS SPECIFIED)		DIMENSION STYLE INCH ONLY		SCALE INCH	DESIGN UNITS INCH	THIRD ANGLE PROJECTION
		4 PLACES ± .005 ± .005	DRAWN BY MIBARRA	DATE 2007/03/27	TITLE 3/16 HEX. SCREWLOCK WITH NYLON PATCH HARDWARE KIT			
		3 PLACES ± .005 ± .005	CHECKED BY DMORGAN	DATE 2007/03/27	MOLEX INCORPORATED			
		2 PLACES ± .005 ± .005 1 PLACE ± .005 ± .005 ANGULAR ±1/2°	APPROVED BY SMILLER	DATE 2007/03/27	MATERIAL NO. SEE TABLE	DOCUMENT NO. SD-70982-002	SHEET NO. 1 OF 1	
DRAFT WHERE APPLICABLE MUST REMAIN WITHIN DIMENSIONS		THIS DRAWING CONTAINS INFORMATION THAT IS PROPRIETARY TO MOLEX INCORPORATED AND SHOULD NOT BE USED WITHOUT WRITTEN PERMISSION						