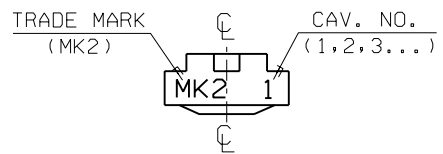
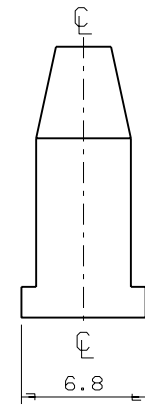
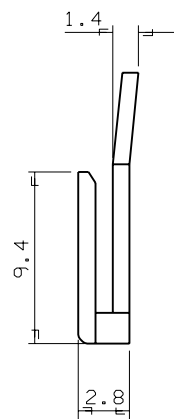
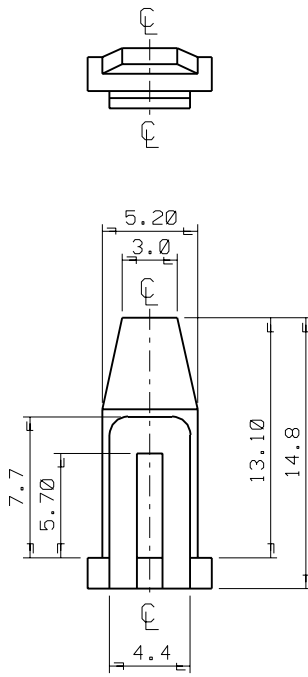
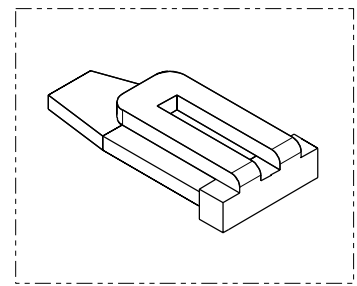


PROJECT NO. .070 MULTI CONN' EDP NO. SIMILAR ITEM ENG. NO SD 35182-019\*



- NOTES
- MATERIAL : NYLON 66 (UL94V-2)
  - COLOR : 35182-0190 (NATURAL)  
35182-0192 (RED)  
35182-0193 (YELLOW)  
35182-0194 (BLUE)
  - MATCHED HOUSING : 35181-020\*  
35181-021\*  
35181-022\*



				MATERIAL SEE NOTES		molex MOLEX-KOREA CO.,LTD.	
				GENERAL TOLERANCE DIMENSION : +0.3 ANGLE : +1°		DRAWN BY J.S.KANG	
				DIMENSION CLASSIFICATION ▽ : CRITICAL ▼ : MAJOR ( ) : REFERENCE		CHK'D BY	
A NEW RELEASED PDR 94-041 95 9.28				DATE		SCALE 4/1	
LTR REVISION RECORDED ECN				DATE		TITLE : .070 MULTI FEMALE HOUSING T.P.A-1P	
REVISE ONLY ON CAD SYSTEM				DESCRIPTION ENG. NO.		SHEET 1 OF 1	
				---		REV A	
						ENG. NO. SD 35182-019*	