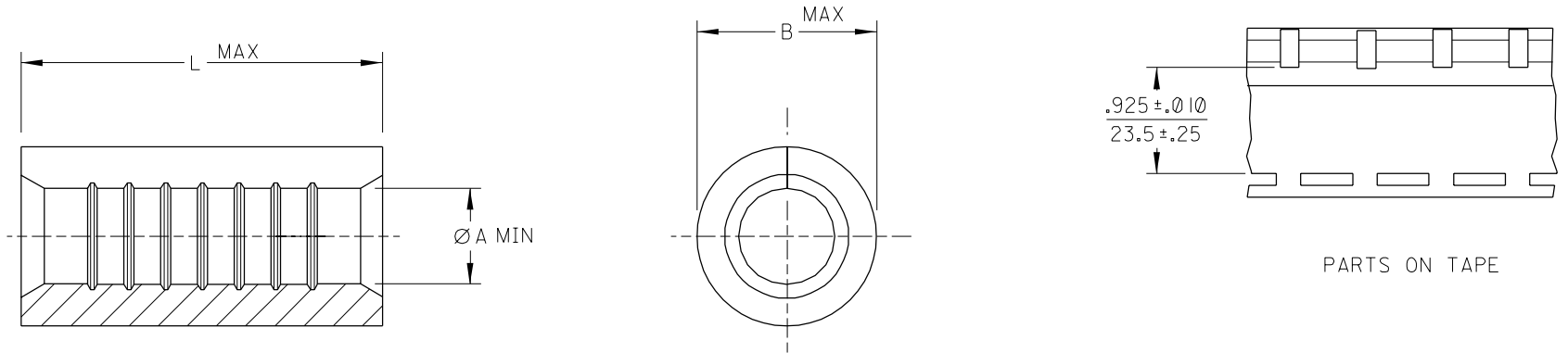


| MATERIAL NUMBER | ALTERNATE NUMBER | "L" MAX     | "A" MIN.    | "B" MAX     | PACKAGING    |
|-----------------|------------------|-------------|-------------|-------------|--------------|
| 192080001       | B-104            | .340 (8.60) | .084 (2.10) | .165 (4.20) | LOOSE PIECE  |
| 192080002       | C-103            | .330 (8.40) | .128 (3.30) | .230 (5.80) |              |
| 192080003       | C-103T           | .330 (8.40) | .128 (3.30) | .230 (5.80) | TAPE MOUNTED |



SALES DRAWING

NOTES:  
 1. MATERIAL: COPPER.  
 2. PLATING: ELECTRO-TIN.  
 3. ALL DIMENSIONS IN INCHES/(MM).

|  |  |  |                   |  |  |                        |  |  |                      |        |
|--|--|--|-------------------|--|--|------------------------|--|--|----------------------|--------|
| NEW RELEASE<br>EC NO.: ETC2002-0225<br>DRWN: BRE 02/01/30<br>CHK: HEB 02/01/30<br>APPR: RWD 02/01/30 | QUALITY SYMBOLS<br>MAJOR $\nabla = 0$<br>CRITICAL $\nabla C = 0$ | GENERAL TOLERANCES: (UNLESS SPECIFIED) |                   | SCALE :  | DESIGN UNITS   | THIRD ANGLE PROJECTION | DIMENSIONS:  | SHT  | REV                  |        |
|  |  | mm                                     | INCH              | :  | <input type="checkbox"/> mm <input checked="" type="checkbox"/> INCH |                        | <input type="checkbox"/> mm <input checked="" type="checkbox"/> INCH | mm ONLY  | REVISION ON CAD ONLY |        |
|  |  | 4 PLACES                               | $\pm 0.$          | $\pm .$  | DRAWN BY & DATE  |                        | TITLE: PARALLEL CONNECTOR  |  |                      |        |
|  |  | 3 PLACES                               | $\pm 0.$          | $\pm .$  | BRE 02/01/30   |                        |  |  |                      |        |
| 2 PLACES   | $\pm 0.13$   | $\pm .005$                             | CHECKED BY & DATE |  |  |                        |  |  |                      |        |
| 1 PLACE  | $\pm 0.25$   | $\pm .01$                              | HEB 02/01/30      |  |  |                        |  |  |                      |        |
|  |  | ANGULAR: 1/2                           |                   | APPROVED BY & DATE                                   |  |                        |  |  |                      |        |
|  |  |  |                   | RWD 02/01/30   |  |                        |  |  |                      |        |
|  |  |  |                   | CAD FILENAME   |  | MATERIAL NO.           |  | DRAWING NO.  |                      |        |
|  |  |  |                   | SD-19208-002 .DWG                                    |  | SEE CHART              |  | SD-19208-002   |                      |        |
|  |  |  |                   | DRAFT WHERE APPLICABLE MUST REMAIN WITHIN DIMENSIONS |  |                        |  | THIS DRAWING CONTAINS INFORMATION THAT IS PROPRIETARY TO MOLEX INCORPORATED AND SHOULD NOT BE USED WITHOUT WRITTEN PERMISSION. |                      | SIZE B |