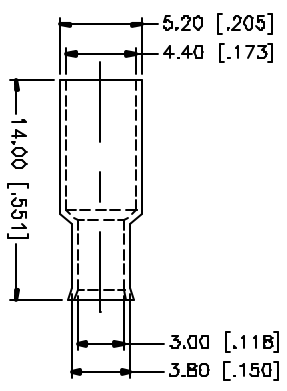
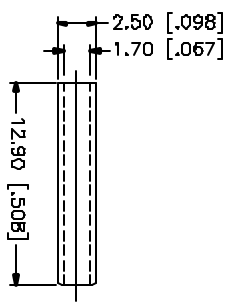
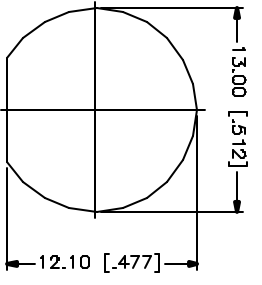
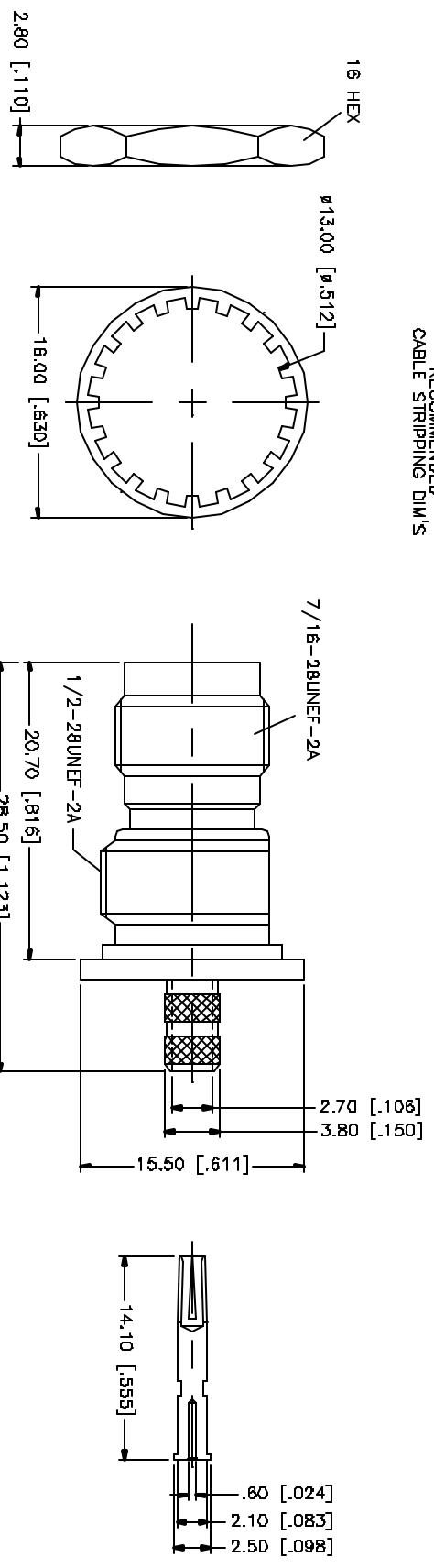
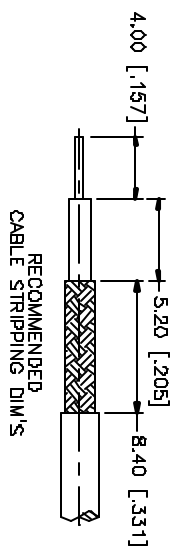


REV.	DATE	DESCRIPTION
A	05/01/04	UPDATE PLATING SPECS.



- NOTES:
1. CRIMPED FERRULE
HEX CRIMPED SIZE .178"
 2. CRIMPED CONTACT PIN
HEX CRIMP SIZE .068"

QTY	FINISH	MATERIAL	DESCRIPTION
1	NICKEL	COPPER	FERRULE
1	NATURAL	DELFIN	SLEEVE
1	NICKEL	BRASS	HEX NUT
1	NICKEL	BRASS	LOCK WASHER
1	GOLD	PHOS. BRONZE	CONTACT PIN
1	NATURAL	TEFLON	INSULATOR
1	NICKEL	BRASS	BODY

APPROVALS	DATE
DAWN G.R.S.	05/01/04

ISSUED	SHEET	1 OF 1

APPROVALS	DATE

REV.	SIZE	SCALE
A	A	NA

Amphenol Connex

PART DESCRIPTION:
TNC BULKHEAD ISOLATED CRIMP JACK
(FOR-RG174/U, 188A/U, 316/U)

PART NO. 122210

DWG. NO. 122210.DWG

ALL DIMENSIONS SPECIFIED UNLESS OTHERWISE NOTED ARE IN MILLIMETERS AND DECIMALS FOR MILLIMETERS AND FRACTIONS FOR INCHES ARE TO BE USED UNLESS OTHERWISE SPECIFIED.
UNLESS OTHERWISE SPECIFIED, TOLERANCES FOR MILLIMETERS ARE:
D.5 - .8mm ± 0.20mm
8 - 30mm ± 0.40mm
30 - 120mm ± 0.50mm
UNLESS OTHERWISE SPECIFIED, TOLERANCES FOR INCHES ARE:
.020 - .315 ± 0.007"
.315 - 1.180 ± 0.015"
1.180 - 4.724 ± 0.020"

DO NOT SCALE DRAWING

CDP FILE C:/122/122210.DWG