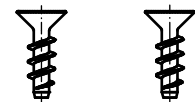
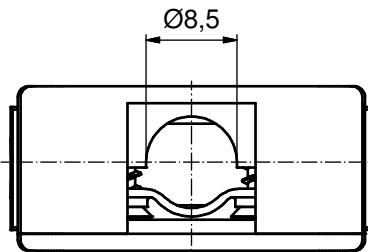
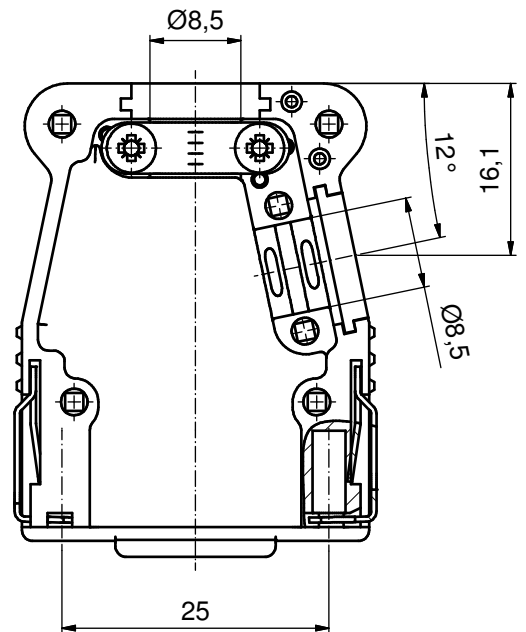


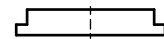
view without cover
(2 : 1)



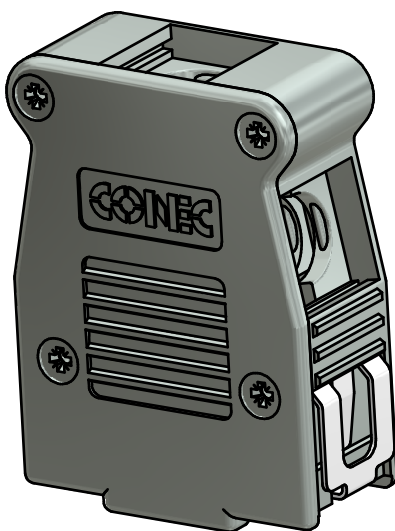
COUNTERSUNK HEAD SCREWS
(6x)



CABLE STRAIN RELIEF



BLANKING PLUG



| Part-No. | Part-No. |
|--------------|----------------|
| Bulk package | Single package |
| 16-001750 | 16-001750E |

HOOD ASSEMBLY CONSISTS OF:

1. HOOD + COVER: ABS UL 94 V-0; NICKEL PLATED
2. BLANKING PLUGS: ABS UL 94 V-0; NICKEL PLATED
3. CABLE STRAIN RELIEF: STEEL; NICKEL PLATED
4. CLIP: STAINLESS STEEL
5. COUNTERSUNK HEAD SCREWS: STEEL; NICKEL PLATED

RoHS compliant

| | | | | | | |
|---|-------------|------------|-------|------------------------|--|-------------|
| THIS DRAWING MAY NOT BE COPIED OR REPRODUCED IN ANY WAY, AND MAY NOT BE PASSED ON TO A THIRD PARTY WITHOUT WRITTEN PERMISSION. OWNERSHIP AND COPYRIGHT OF CONEC GmbH DO NOT ALTER CAD DRAWING BY HAND | tolerance | | | dim. in mm | scale: 2:1 | |
| | | | | | material: see drawing | |
| | | | | date | name | |
| | | | | drawn | 24.09.14 | Henneboel |
| | | | | appd. | 24.09.14 | Strakerjahn |
| | | | norm | | title: Plastic Hood 9pos with Snap Lock / top and side cable exit | |
| | | | d-old | | | |
| 2 x b | A5619 | 21.04.2015 | K.H. | dwg no: | | |
| a | Original | | | 16K1A3529 | | |
| rev. | description | date | name | part no: (b) SEE TABLE | | |
| | | | | | | |
| | | | | DIN-A3 | | |
| | | | | sh: 1 | | |