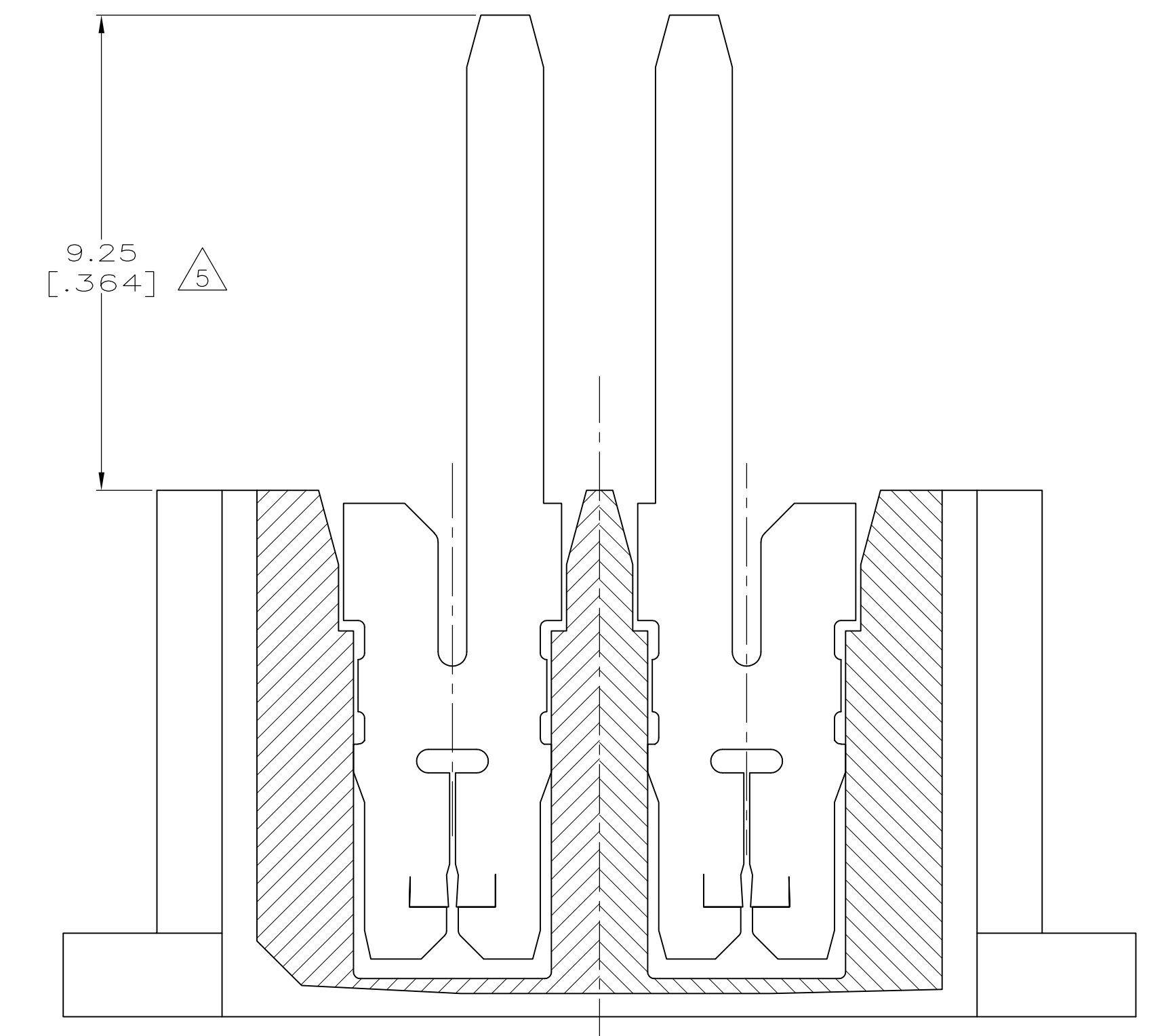
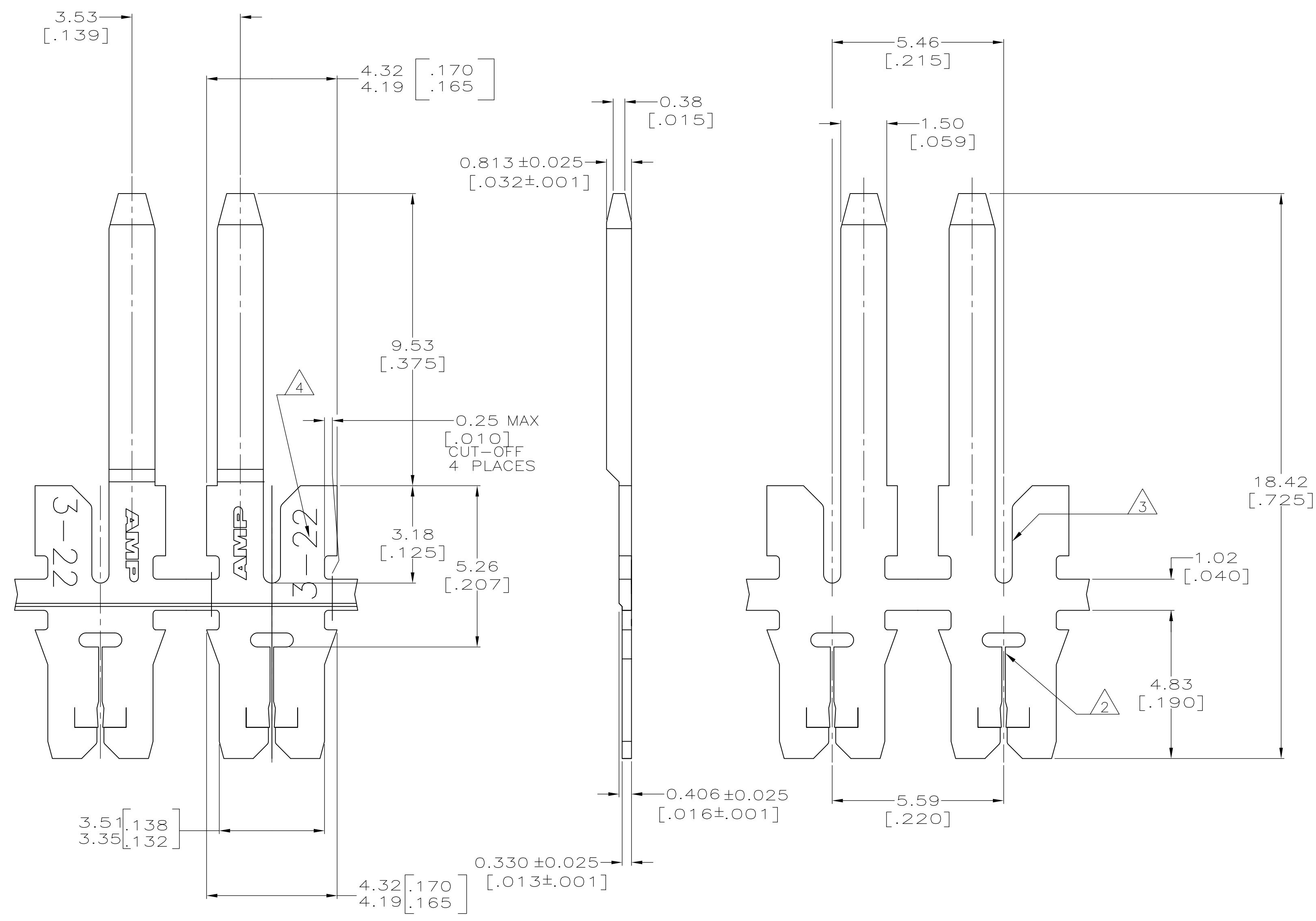


- 1 CONTINUOUS STRIP ON REELS WITH TERMINALS LOCATED ON 11.18±0.08 [.440±.003] CENTERS
- 2 SLOTS ACCEPTS 0.16 - 0.18mm [#34-#33] AWG COPPER MAGNET WIRE. TWO WIRES OF THE SAME SIZE MAX PER SLOT.
- 3 SLOT ACCEPTS A SINGLE 0.6mm [#22.5]AWG SOLID BARE COPPER WIRE
- 4 IDENTIFICATION NUMBER 3-22. 3 FOR THE MAGNET WIRE SLOT SIZE AND 22 FOR THE LEADWIRE SLOT SIZE
- 5 POINT OF MEASUREMENT, LOCATED APPROXIMATELY AS SHOWN



INSERTION SPECIFICATION

1742941-1
PART NUMBER

| | | | | |
|--|--|-------------------------------|---|--|
| THIS DRAWING IS A CONTROLLED DOCUMENT. | | DRN JR_RUTH 30NOV11 | TE Connectivity | |
| DIMENSIONS: mm [INCHES] | | CHK K_RANDOLPH 30NOV11 | NAME TERMINAL, POSTED, DUAL IDC, MAG-MATE Slim Line | |
| TOLERANCES UNLESS OTHERWISE SPECIFIED: | | APVD K_RANDOLPH 30NOV11 | PRODUCT SPEC 108-1484 | |
| 0 PLC ± - | | APPLICATION SPEC | | |
| 1 PLC ± ± | | SIZE A1 | | |
| 2 PLC ± ± 0.13[.005] | | CAGE CODE 00779 | | |
| 3 PLC ± ± | | DRAWING NO 1742941 | | |
| 4 PLC ± ± | | RESTRICTED TO | | |
| ANGLES ± ± | | WEIGHT | | |
| MATERIAL 4M PRE-MILLED BRASS | | CUSTOMER DRAWING | | |
| FINISH 0.002032[.000080] MIN TIN PLATE | | SCALE 10:1 | | |
| | | SHEET 1 of 1 | | |
| | | REV A1 | | |