

4

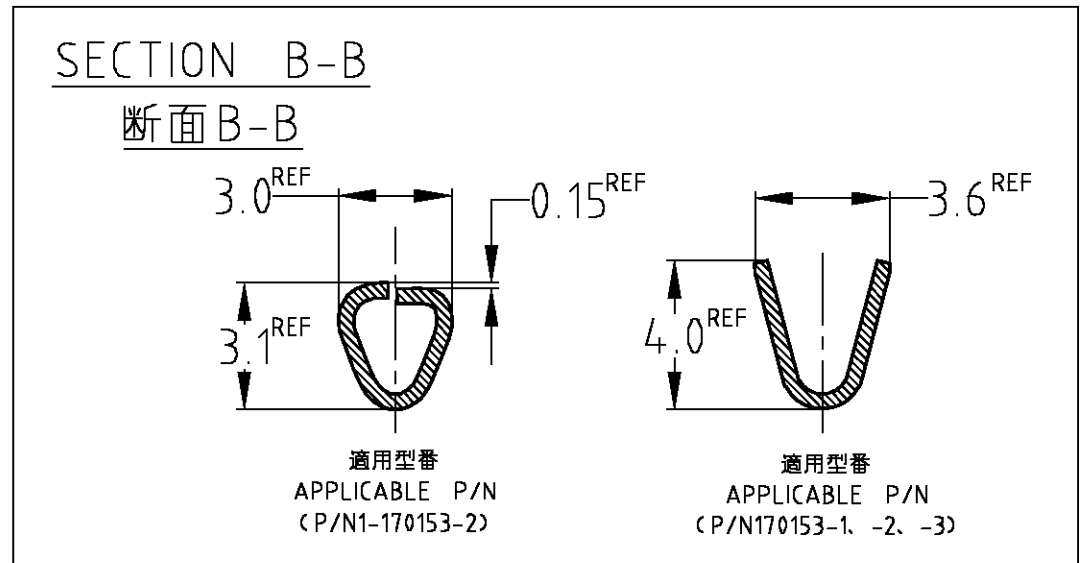
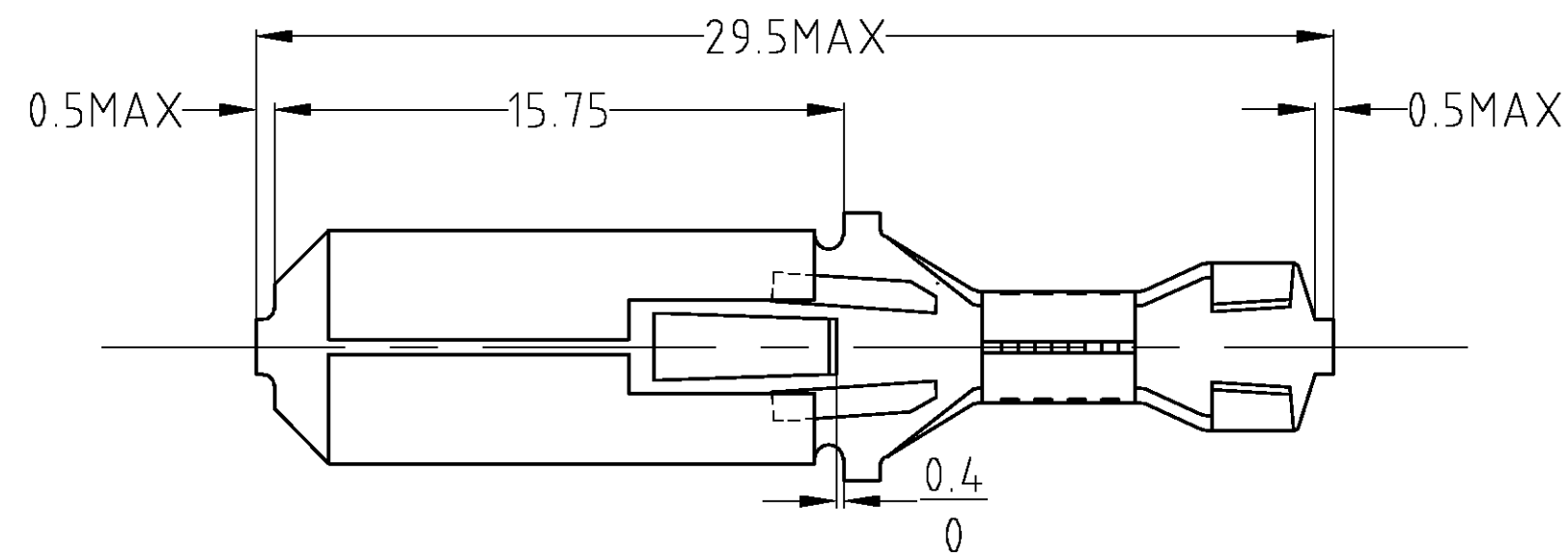
3

2

1

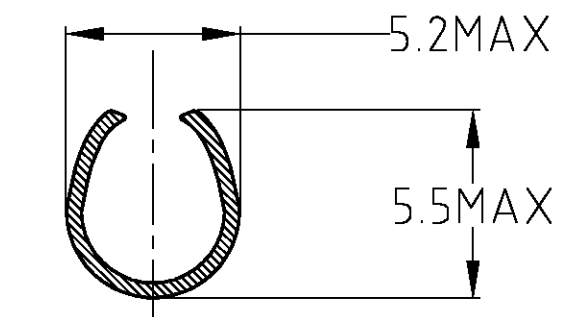
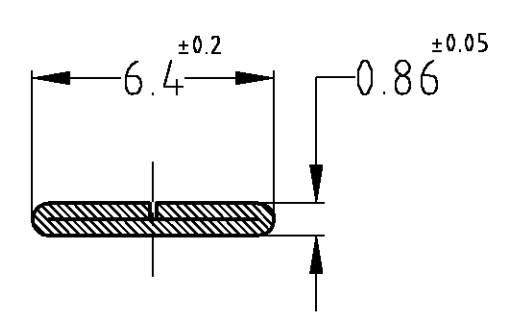
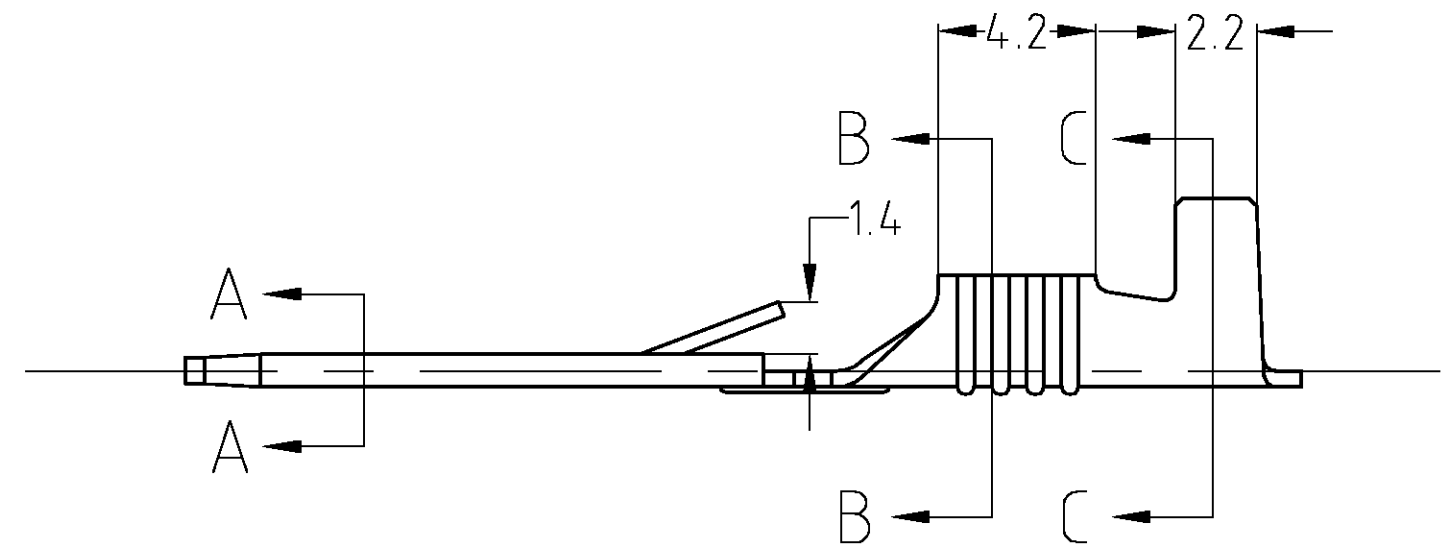
THIS DRAWING IS UNPUBLISHED. RELEASED FOR PUBLICATION  
 © COPYRIGHT - ALL RIGHTS RESERVED.

LOC	DIST	REVISIONS					
		P	LTR	DESCRIPTION	DATE	DWN	APVD
J	-	C1		REVISED PER ECO-11-005030	23MAR11	RK	HMR



- 注)  
 1. 適用電線: AWG18 - AWG14 (0.75~2.27)  
 2. 適用被覆外径: φ3.1~4.1MM

- NOTE)  
 1. APPLICABLE WIRE SIZE  
 : AWG18 - AWG14 (0.75~2.27)  
 2. APPLICABLE WIRE INSULATION  
 : φ3.1~4.1MM



	錫めっき済み黄銅 0.41t PRE-TIN BRASS 0.41t	170151-2	1-170153-2
錫めっき TIN-PLATE	黄銅 0.41t BRASS 0.41t	170151-3	170153-3
	錫めっき済み黄銅 0.41t PRE-TIN BRASS 0.41t	170151-2	170153-2
	黄銅 0.41t BRASS 0.41t	170151-1	170153-1
仕上げ FINISH	材料 MATERIAL	連鎖状端子型番 STRIP CONTACT P/N	バラ状端子型番 L.P CONTACT P/N

THIS DRAWING IS A CONTROLLED DOCUMENT.

DWN J.HOSHIBA	02OCT'06	TE Connectivity	
CHK N.YAMASAKI	16FEB'07		
APVD N.YAMASAKI	16FEB'07	NAME 名称	
PRODUCT SPEC 製品規格	108-5048	250 SERIES FASTIN FASTON TAB(L.P)	
APPLICATION SPEC 取付適用規格	-	SIZE	CAGE CODE
MATERIAL 材料	SEE TABLE	A3	00779
FINISH 仕上	SEE TABLE	DRAWING NO 番号	
CUSTOMER DRAWING		C-170153	
		RESTRICTED TO	-
		SCALE 尺度	5:1
		SHEET	1 OF 1
		REV	C1